



[BCIS Home](#) |
 [Log In](#) |
 [User Registration](#) |
 [Hot Topics](#) |
 [Submit Surcharge](#) |
 [Stats & Facts](#) |
 [Publications](#) |
 [FBC Staff](#) |
 [BCIS Site Map](#) |
 [Links](#) |
 [Search](#)



Product Approval
USER: Public User

[Product Approval Menu](#) >
 [Product or Application Search](#) >
 [Application List](#) >
 Application Detail

- ▶ COMMUNITY PLANNING
- ▶ HOUSING & COMMUNITY DEVELOPMENT
- ▶ EMERGENCY MANAGEMENT
- ▶ OFFICE OF THE SECRETARY

FL #	FL10348-R1
Application Type	Affirmation
Code Version	2007
Application Status	Approved
Comments	
Archived	<input type="checkbox"/>
Product Manufacturer	StormWatch
Address/Phone/Email	254 Talleyrand Avenue Jacksonville, FL 32202 (561) 324-8811 mmurray@stormwatchinfo.com
Authorized Signature	Michael Murray mmurray@stormwatchinfo.com
Technical Representative	Michael Murray
Address/Phone/Email	PO Box 14224 North Palm Beach, FL 33408 (888) 759-7054 mmurray@stormwatchinfo.com
Quality Assurance Representative	Meridith Anzulis
Address/Phone/Email	PO Box 14224 N. Palm Beach, FL 33408 (888) 759-7054 Ext 2 manzulis@stormwatchinfo.com
Category	Shutters
Subcategory	Products Introduced as a Result of New Technology
Compliance Method	Evaluation Report from a Florida Registered Architect or a Licensed Florida Professional Engineer <input type="checkbox"/> Evaluation Report - Hardcopy Received
Florida Engineer or Architect Name who developed the Evaluation Report	Daniel T. Koenig
Florida License	PE-52999
Quality Assurance Entity	National Accreditation and Management Institute
Quality Assurance Contract Expiration Date	12/31/2012
Validated By	Jorge A. Pomerantz, P.E. <input type="checkbox"/> Validation Checklist - Hardcopy Received
Certificate of Independence	FL10348_R1_COI_Certificate_of_Independence.pdf

Referenced Standard and Year (of Standard)	Standard	Year
	ASTM E330	2002
	TAS 201	2004
	TAS 202	2004
	TAS 203	2004

Equivalence of Product Standards Certified By

Sections from the Code

I affirm that there are no changes in the new Florida Building Code which affect my product(s) and my product(s) are in compliance with the new Florida Building Code.

Documentation from approved Evaluation or Validation Entity
 Yes No N/A

Product Approval Method	Method 1 Option D
Date Submitted	08/28/2008
Date Validated	08/28/2008
Date Pending FBC Approval	
Date Approved	08/29/2008

Summary of Products

FL #	Model, Number or Name	Description
10348.1	StormWatch Mesh Series	Fabric based impact resistant storm panel
Limits of Use Approved for use in HVHZ: Yes Approved for use outside HVHZ: Yes Impact Resistant: Yes Design Pressure: +76/-76 Other: max span 14' 1.5"		Installation Instructions FL10348_R1_II_StormWatch Mesh Series Installation Instructions FL10348.pdf Verified By: Daniel T. Koenig FL PE 52999 Created by Independent Third Party: No Evaluation Reports FL10348_R1_AE_StormWatch Mesh Series Evaluation Report FL10348.pdf Created by Independent Third Party: Yes

Back
Next

Department of Community Affairs
 Florida Building Code Online
 Codes and Standards
 2555 Shumard Oak Boulevard
 Tallahassee, Florida 32399-2100
 (850) 487-1824, Fax (850) 414-8436
 © 2000-2010 The State of Florida. All rights reserved.

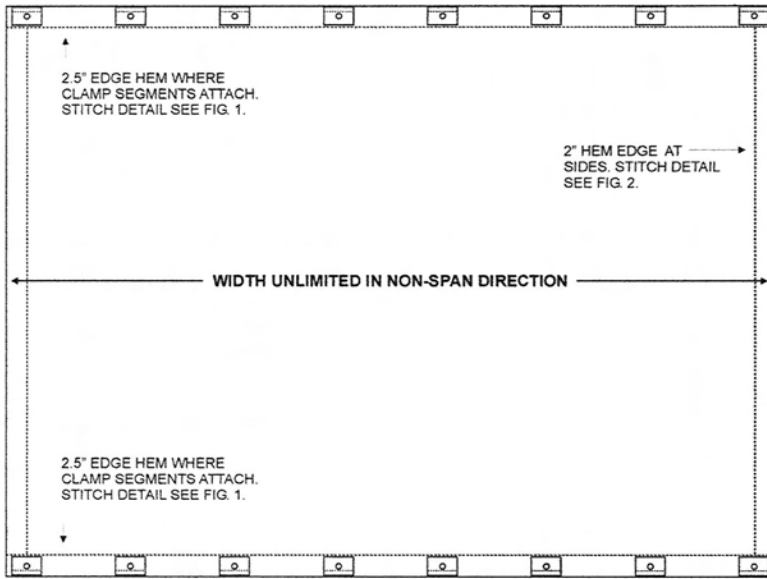
[Privacy Statement](#) | [Copyright Statement](#) |
[Accessibility Statement](#) | [Plug-in Software](#) |
[Customer Service Survey](#) | [Contact Us](#)

Product Approval Accepts:



LARGE MISSILE IMPACT RESISTANT

TYPICAL PANEL FRONT VIEW

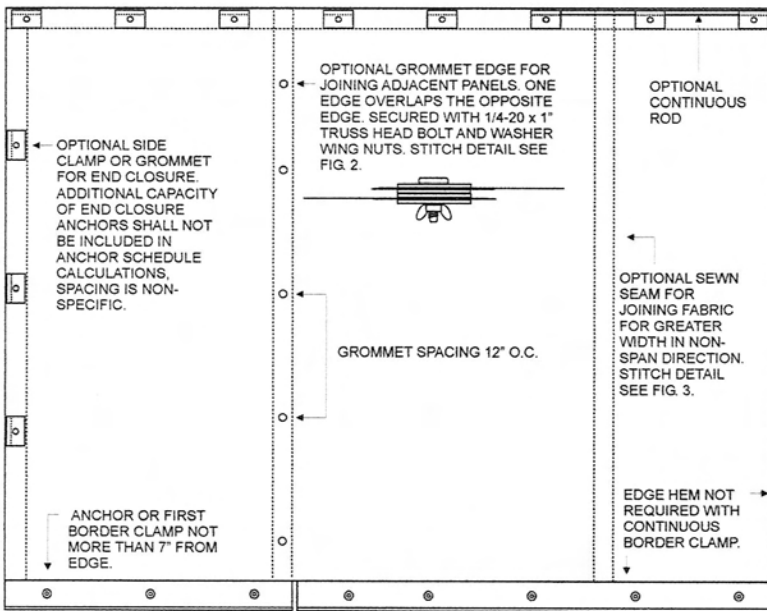


MAXIMUM ANCHOR SPAN 14'-1.5"

GENERAL NOTES:

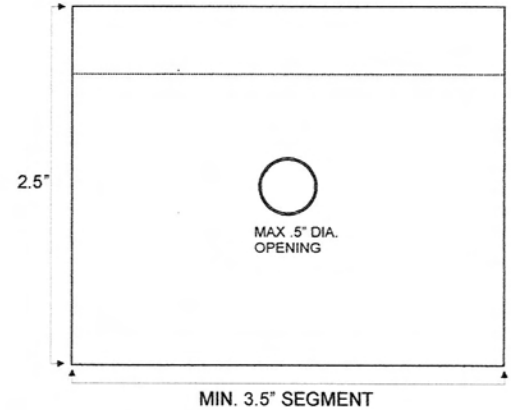
1. THE SYSTEM DESCRIBED HEREIN HAS BEEN DESIGNED AND TESTED AS A LARGE MISSILE IMPACT PROTECTIVE SYSTEM IN ACCORDANCE WITH THE 2004 FLORIDA BUILDING CODE, INCLUDING 2005, 2006, AND 2007 REVISIONS, FOR USE INSIDE AND OUTSIDE THE HIGH VELOCITY HURRICANE ZONE (HVHZ) PER TAS 201, TAS 202, TAS 203 AND ASTM E330 TEST STANDARDS.
2. THE SYSTEM DESCRIBED HEREIN IS DESIGNED FOR USE AS A PROTECTED OPENING IMPACT SCREEN DURING PERIODS OF HIGH WINDS. THE SCREEN IS TEMPORARY AND REMOVABLE AND NOT INTENDED TO BE A PERMANENT PART OF THE STRUCTURE.
3. THE SYSTEM DESCRIBED HEREIN IS GENERIC AND DOES NOT PROVIDE INFORMATION FOR A SPECIFIC SITE. A LICENSED ENGINEER OR REGISTERED ARCHITECT SHALL PREPARE SITE SPECIFIC DOCUMENTS FOR USE WITH THIS DOCUMENT AS REQUIRED FOR INSTALLATIONS OUTSIDE BOUNDARIES AS SHOWN.
4. PERMIT HOLDER SHALL VERIFY THE ADEQUACY OF THE EXISTING STRUCTURE TO WITHSTAND SUPERIMPOSED LOADS.
5. ALL BOLTS, WASHERS, FASTENERS SHALL BE GALVANIZED STEEL, NICKEL/ ZINC COATED STEEL, OR STAINLESS STEEL. GROMMETS MAY BE BRASS, ALUMINUM, OR STAINLESS STEEL.
6. THE SCREEN DESCRIBED HEREIN SHALL BE PERMANENTLY LABELED WITH A MINIMUM OF ONE LABEL PER SCREEN. LABEL INFORMATION SHALL CONTAIN THE MANUFACTURER'S NAME, INFORMATION DESCRIBING THE PRODUCT, INFORMATION DESCRIBING LIMITATIONS OF USE, AND THE FLORIDA PRODUCT APPROVAL NUMBER.

OPTIONAL PANEL CONFIGURATIONS



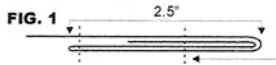
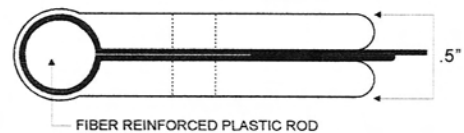
STORMWATCH BORDER CLAMP

PART NO. 1
FRONT VIEW



MIN. 3.5" SEGMENT

SIDE VIEW

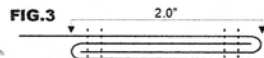


2.5" DOUBLE FOLD EDGE HEM WITH TWO ROWS OF LOCK STITCHING AT 4 STITCHES PER INCH.

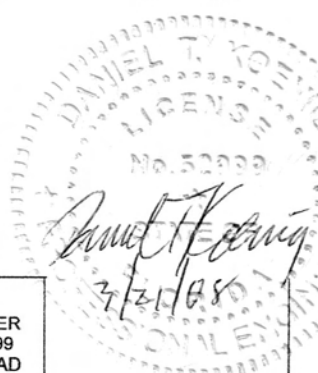
HEM EDGE SETBACK FORMS POCKET FOR FRP ROD.



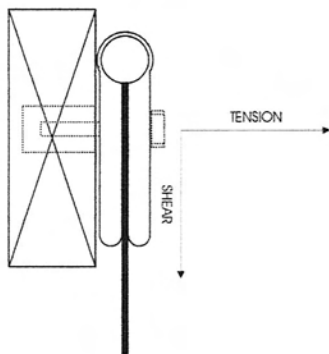
2" EDGE HEM WITH TWO ROWS OF LOCK STITCHING AT 4 STITCHES PER INCH. OPTIONAL #3 GROMMET AT CENTER.



2" SEAM WITH FOUR ROWS OF LOCK STITCHING AT 4 STITCHES PER INCH.

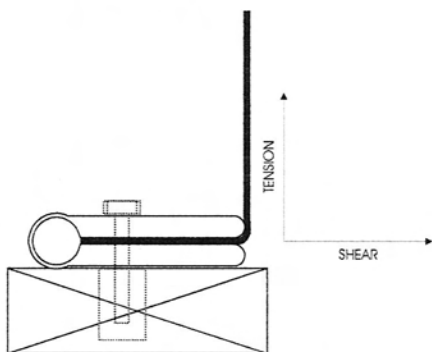


OUTSIDE MOUNT

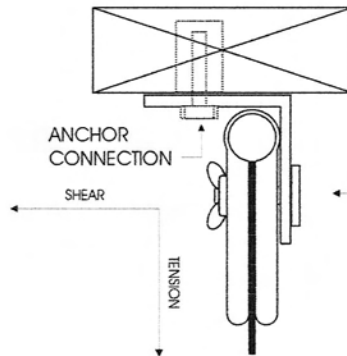


GENERIC ANCHOR FOR ILLUSTRATION:
 ANCHOR TYPE AND SPACING PER ANCHOR SCHEDULE.
 ANCHOR SHEAR AND TENSION LOADS VARY WITH MOUNTING CONFIGURATION, ENSURE THE CORRECT ANCHOR SCHEDULE IS USED FOR OUTSIDE AND INSIDE MOUNTS.

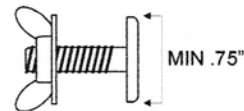
INSIDE MOUNT



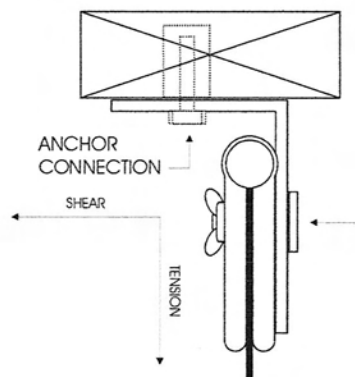
INSIDE MOUNT
1/8" ALUMINUM ANGLE
FOR 12" ANCHOR SPACING



INTERMEDIARY CONNECTIONS:
 1/4"-20 TRUSS HEAD BOLT W/WASHER WING NUT ON 12" OC



INSIDE MOUNT
3/16" ALUMINUM ANGLE
MAX 24" ANCHOR SPACING



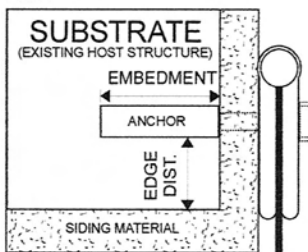
ANCHOR NOTES:

1. MINIMUM EDGE DISTANCE AND EMBEDMENT EXCLUDES ALL WALL FINISHES INCLUDING BUT NOT LIMITED TO STUCCO, FOAM, BRICK VENEER, AND SIDING (SEE FIG. 4). FIELD VERIFY THE THICKNESS OF FINISHES AND LOCATION OF STRUCTURAL FRAMING FOR PROPER ANCHOR EDGE DISTANCE AND EMBEDMENT.
2. WHERE EXISTING STRUCTURE IS WOOD FRAMING, EXISTING CONDITIONS MAY VARY. FIELD VERIFY THAT ANCHORS ARE PLACED INTO WOOD FRAMING AND NOT PLYWOOD AND THAT WOOD FRAMING IS NOT DETERIORATED.
3. SPAN IS MEASURED ANCHOR TO ANCHOR.
4. THE ANCHOR SCHEDULE REFERENCES THE INDICATED MANUFACTURER'S INSTALLATION INSTRUCTIONS AND TEST RESULTS. INSTALL ANCHORS PER MANUFACTURER'S DIRECTIONS.
5. ANCHOR CONNECTIONS SHALL BE MADE WITH CORRESPONDING MACHINE SCREWS HAVING A MINIMUM TENSILE STRESS OF 60,000 PSI. CONNECTIONS MAY USE WASHER WING NUTS OR BOLTS WITH WASHERS OF MIN. .75" HEAD DIA. OR TWICE THE DIA. OF OPENING WHICHEVER IS GREATER.

BORDER CLAMP NOTES:

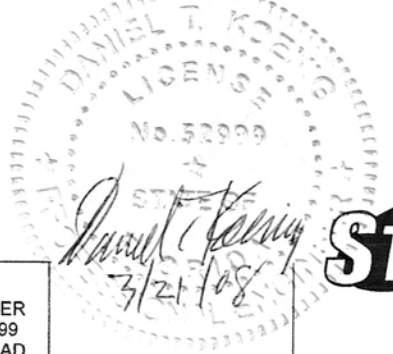
1. BORDER CLAMP MAY BE A MIN 3.5" SEGMENT OR CONTINUOUS. COMPLEMENTARY FIBERGLASS ROD MAY BE A MIN 3.5" SEGMENT OR CONTINUOUS AND MAY UTILIZE SEGMENTED AND CONTINUOUS BORDER SECTIONS IN THE SAME PANEL.
2. DIRECT MOUNT CONNECTIONS MAY USE TRUSS HEAD MACHINE SCREWS, WASHER WING NUTS OR BOLTS WITH WASHERS OF MIN. .75" HEAD DIA. OR TWICE THE DIA. OF OPENING, WHICHEVER IS GREATER.

FIG. 4



ALUMINIUM ANGLE INSTALLATION NOTES:

1. 2"x3" ALUMINIUM ANGLE WITH A MIN. 1/8" CROSS SECTION MAY BE CONTINUOUS OR A SEGMENTED SECTION WITH A MIN. LENGTH OF 3.5" AND MAY BE USED WITH MAX 12" O.C. ANCHORS INTO SUBSTRATE TO MAX. SPAN PER ANCHOR SCHEDULE. INTERMEDIARY PANEL TO ANGLE CONNECTIONS ARE SPACED ON 12" CENTERS.
2. CONTINUOUS SECTIONS OF 2"x3" ALUMINIUM ANGLE WITH A MIN 3/16" CROSS SECTION MAY BE USED WITH MAX 24" O.C. ANCHORS INTO SUBSTRATE TO MAX. SPAN PER ANCHOR SCHEDULE. INTERMEDIARY PANEL TO ANGLE CONNECTIONS ARE SPACED ON 12" CENTERS.
3. INTERMEDIARY CONNECTIONS MAY USE 1/4-20 TRUSS HEAD MACHINE SCREWS WITH WASHER WING NUT OR NUT WITH WASHER OF MIN. .75" HEAD DIA. OR TWICE THE DIA. OF OPENING, WHICHEVER IS GREATER.



RAISED SEAL

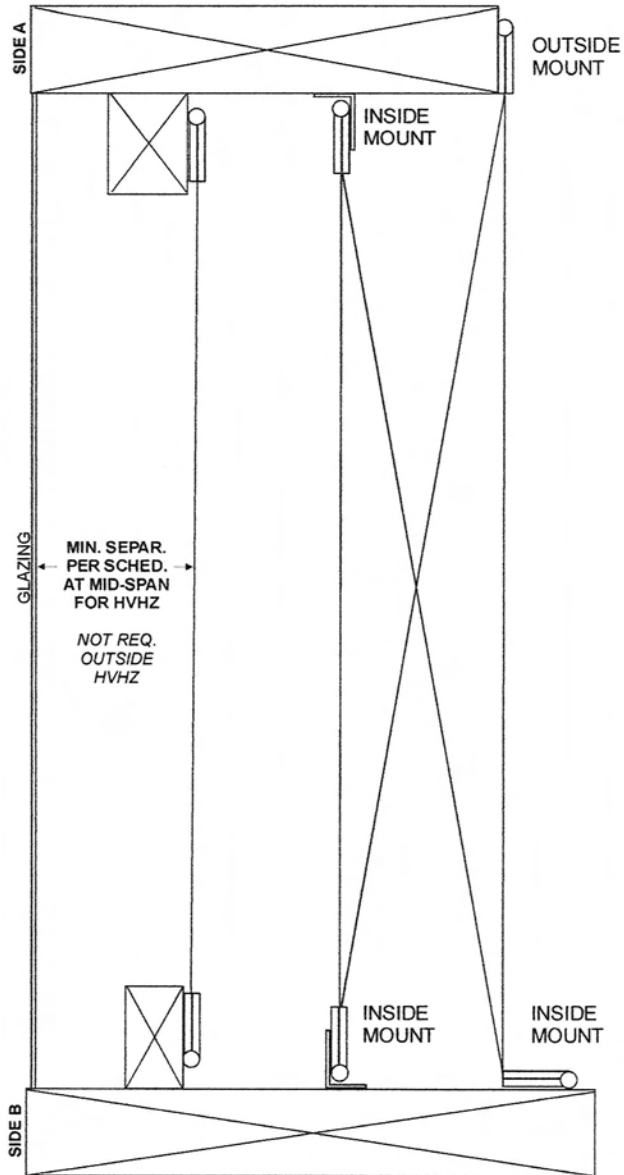
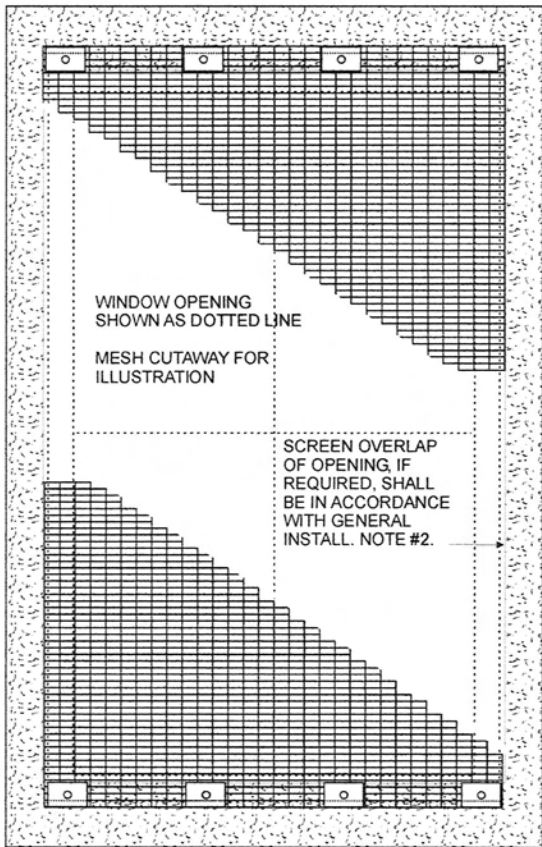
Installation Instructions

StormWatch Inc.
 PO Box 14224
 N Palm Beach, FL 33408
 Tel: 866.60.STORM
 info@stormwatchinfo.com

DRAWN BY: MICHAEL MURRAY

DRAWING NO:
 1207-003
 NOT TO SCALE

25



GENERAL INSTALLATION NOTES:

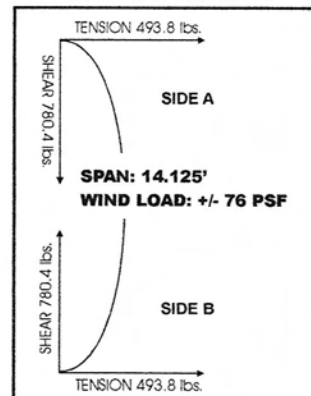
1. THIS SYSTEM DESCRIBED HEREIN MAY BE USED AS A NON-POROUS SHUTTER SYSTEM, NO MINIMUM SEPARATION FROM THE PROTECTED GLAZING IS REQUIRED OUTSIDE THE HVHZ.
2. SHUTTER SHALL BE INSTALLED IN A MANNER TO COMPLETELY COVER THE ENTIRE OPENING IN ALL DIRECTIONS. ON ANY SIDE OF AN OPENING, THE MAXIMUM SIDE CLEARANCE BETWEEN THE SCREEN AND A WALL OR INSET SURFACE SHALL BE 1/4". ANY DISTANCE IN EXCESS OF 1/4" SHALL REQUIRE END CLOSURE OR SCREEN OVERLAP OF A MINIMUM OF 1.5 TIMES THE SIDE CLEARANCE BETWEEN THE SCREEN AND WALL.
3. MULTIPLE UNITS MAY BE INSTALLED TO UNLIMITED NON-SPAN WIDTHS.
4. SCREEN MAY BE MOUNTED VERTICALLY OR HORIZONTALLY.

HVHZ INSTALLATION NOTES:

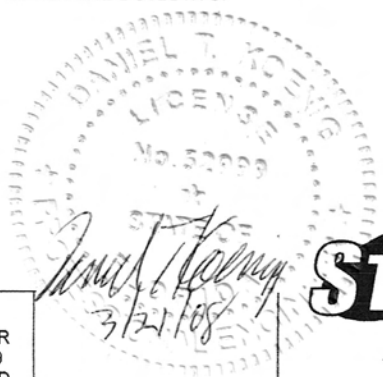
1. INCLUDES NOTES 2, 3, 4 OF GENERAL INSTALLATION NOTES ABOVE.
2. INSIDE THE HVHZ PROTECTED OPENING SCREENS SHALL BE INSTALLED IN A MANNER TO STAND OFF GLAZING AS REQUIRED IN MIN. SEPARATION SCHEDULE.
3. INSIDE THE HVHZ, WHEN SCREEN IS NOT BEING USED FOR ITS INTENDED PURPOSE THE SCREEN SHALL, WHERE PRACTICABLE, BE REMOVED AND NEATLY STORED AT ALL TIMES IN A DESIGNATED AND ACCESSIBLE AREA WITHIN THE BUILDING.

MINIMUM SEPARATION SCHED. FOR USE INSIDE THE HVHZ	
MAX SPAN BETWEEN ANCHORS	MINIMUM STAND-OFF FROM GLAZING
IN FEET 14'-1.5"	IN INCHES 30.00"
STAND-OFF FIGURES INCLUDE ALLOWANCES FOR 2" MINIMUM SEPARATION FROM GLAZING AFTER MAX DEFLECTION	

MAXIMUM SUPERIMPOSED LOADS ON HOST STRUCTURE PER LINEAR FOOT AT INDICATED WIND LOAD AND SPAN



SUPERIMPOSED LOADS VARY WITH WIND LOADS AND SPAN. SITE SPECIFIC CONDITIONS MAY REQUIRE ADDITIONAL CALCULATIONS TO DETERMINE COMPATIBILITY WITH HOST STRUCTURE



Installation Instructions

DANIEL T. KOENIG
 PROFESSIONAL ENGINEER
 FLORIDA LICENSE# 52999
 8531 LAKE CYPRESS ROAD
 LAKE WORTH FL 33467

RAISED SEAL

StormWatch Inc.
 PO Box 14224
 N Palm Beach, FL 33408
 Tel: 866.60.STORM
 info@stormwatchinfo.com

DRAWN BY: MICHAEL MURRAY

DRAWING NO:
 1207-003
 NOT TO SCALE

35

ANCHOR SCHEDULE - OUTSIDE MOUNT +/- 76PSF

ANCHOR		MIN EMBED	MIN EDGE DIST	SPANS TO: 5'-0"	SPANS TO: 6'-0"	SPANS TO: 7'-0"	SPANS TO: 8'-0"	SPANS TO: 9'-0"	SPANS TO: 10'-0"	SPANS TO: 11'-0"	SPANS TO: 12'-0"	SPANS TO: 13'-0"	SPANS TO: 14'-1.5"
WOOD SG=0.55	1/4"ELCO PANELMATE MALE OR FEMALE	1-7/8"	3/4"	12" O.C.	10" O.C.	9" O.C.	8" O.C.	6" O.C.	6" O.C.				
	1/4"ELCO PANELMATE MALE OR FEMALE	1-1/2"	2"	12" O.C.	12" O.C.	12" O.C.	12" O.C.	10" O.C.	9" O.C.	8" O.C.	6" O.C.	6" O.C.	6" O.C.
	1/4" SAMMY SUPER SCREW SSW	1-1/2"	2"	12" O.C.	12" O.C.	12" O.C.	12" O.C.	10" O.C.	9" O.C.	8" O.C.	6" O.C.	6" O.C.	6" O.C.
	1/4" LAG BOLT	3"	1-3/4"	12" O.C.	12" O.C.	12" O.C.	12" O.C.	10" O.C.	9" O.C.	8" O.C.	6" O.C.	6" O.C.	6" O.C.
	3/8" LAG BOLT	3"	1-3/4"	12" O.C.	12" O.C.	12" O.C.	12" O.C.	12" O.C.	12" O.C.	12" O.C.	10" O.C.	10" O.C.	8" O.C.
	3/8" HANGER BOLT	3"	1-3/4"	12" O.C.	12" O.C.	12" O.C.	12" O.C.	12" O.C.	12" O.C.	12" O.C.	10" O.C.	10" O.C.	8" O.C.
CONCRETE 3323 psi	1/4"ELCO PANELMATE MALE	2"	2-1/2"	12" O.C.	12" O.C.	12" O.C.	12" O.C.	12" O.C.	12" O.C.	12" O.C.	10" O.C.	10" O.C.	9" O.C.
	1/4"ELCO PANELMATE FEMALE	1-3/4"	2-1/2"	12" O.C.	12" O.C.	12" O.C.	12" O.C.	10" O.C.	9" O.C.	8" O.C.	6" O.C.	6" O.C.	6" O.C.
	1/4" ELCO PANELMATE INSERT	1-5/8"	4"	12" O.C.	12" O.C.	12" O.C.	12" O.C.	12" O.C.	12" O.C.	10" O.C.	10" O.C.	9" O.C.	9" O.C.
	1/4" SAMMY SUPER SCREW SSC	2-1/4"	1-1/4"	12" O.C.	12" O.C.	10" O.C.	9" O.C.	8" O.C.	6" O.C.	6" O.C.	6" O.C.		
	1/4" SAMMY SUPER SCREW SSC	2-1/4"	2-1/2"	12" O.C.	12" O.C.	12" O.C.	12" O.C.	12" O.C.	10" O.C.	10" O.C.	9" O.C.	8" O.C.	6" O.C.
	1/4" POWERS DROP-IN	1"	3"	12" O.C.	12" O.C.	12" O.C.	12" O.C.	12" O.C.	12" O.C.	10" O.C.	9" O.C.	9" O.C.	8" O.C.
	1/4-20 POWERS CALK-IN	7/8"	2"	12" O.C.	10" O.C.	9" O.C.	8" O.C.	6" O.C.	6" O.C.				
	1/4-20 POWERS CALK-IN	7/8"	3"	12" O.C.	12" O.C.	10" O.C.	10" O.C.	9" O.C.	8" O.C.	6" O.C.	6" O.C.		
	1/4" TAPCON SG	1-3/4"	2-1/2"	12" O.C.	12" O.C.	12" O.C.	12" O.C.	12" O.C.	12" O.C.	12" O.C.	12" O.C.	12" O.C.	10" O.C.
	1/4" TAPCON	1-3/4"	2-1/2"	12" O.C.	12" O.C.	12" O.C.	10" O.C.	10" O.C.	8" O.C.	6" O.C.	6" O.C.	6" O.C.	6" O.C.
	1/4" POWERS TAPPER	1-3/4"	3"	12" O.C.	12" O.C.	12" O.C.	10" O.C.	9" O.C.	8" O.C.	6" O.C.	6" O.C.	6" O.C.	
	1/4" POWERS POWER BOLT	2-1/2"	3"	12" O.C.	12" O.C.	12" O.C.	12" O.C.	12" O.C.	12" O.C.	12" O.C.	12" O.C.	12" O.C.	10" O.C.
	1/4" POWERS POWER STUD	1-1/2"	3"	12" O.C.	12" O.C.	12" O.C.	12" O.C.	10" O.C.	9" O.C.	8" O.C.	6" O.C.	6" O.C.	6" O.C.
	1/4" POWERS WEDGE-BOLT	2"	2"	12" O.C.	12" O.C.	12" O.C.	12" O.C.	12" O.C.	12" O.C.	12" O.C.	10" O.C.	10" O.C.	9" O.C.
	5/16" TAPCON	2-1/4"	2-3/16"	12" O.C.	12" O.C.	12" O.C.	12" O.C.	12" O.C.	12" O.C.	12" O.C.	12" O.C.	12" O.C.	12" O.C.
	3/8-16 POWERS CALK-IN	1-1/4"	4"	12" O.C.	12" O.C.	12" O.C.	12" O.C.	12" O.C.	12" O.C.	12" O.C.	12" O.C.	12" O.C.	12" O.C.
	3/8 POWERS DROP-IN	1-9/16"	2-5/8"	12" O.C.	12" O.C.	12" O.C.	12" O.C.	12" O.C.	12" O.C.	12" O.C.	12" O.C.	12" O.C.	12" O.C.
	3/8" POWERS POWER BOLT	2-1/2"	4"	12" O.C.	12" O.C.	12" O.C.	12" O.C.	12" O.C.	12" O.C.	12" O.C.	12" O.C.	12" O.C.	12" O.C.
	3/8" POWERS POWER STUD	3"	4"	12" O.C.	12" O.C.	12" O.C.	12" O.C.	12" O.C.	12" O.C.	12" O.C.	12" O.C.	12" O.C.	12" O.C.
	3/8" POWERS WEDGE BOLT	2-1/2"	3"	12" O.C.	12" O.C.	12" O.C.	12" O.C.	12" O.C.	12" O.C.	12" O.C.	12" O.C.	12" O.C.	12" O.C.
HOLLOW BLOCK 1500 psi	1/4"ELCO PANELMATE MALE	1-1/4"	3"	12" O.C.	12" O.C.	10" O.C.	9" O.C.	8" O.C.	6" O.C.	6" O.C.	6" O.C.		
	1/4"ELCO PANELMATE FEMALE	1-1/4"	3"	12" O.C.	9" O.C.	8" O.C.	6" O.C.	6" O.C.					
	1/4" ELCO PANELMATE INSERT	1-1/4"	1-3/4"	12" O.C.	10" O.C.	9" O.C.	6" O.C.	6" O.C.	6" O.C.				
	1/4" ELCO PANELMATE INSERT	1-1/4"	3-1/2"	12" O.C.	12" O.C.	12" O.C.	12" O.C.	10" O.C.	10" O.C.	9" O.C.	8" O.C.	6" O.C.	
	1/4" TAPCON SG	1-1/4"	2-1/2"	12" O.C.	10" O.C.	9" O.C.	8" O.C.	6" O.C.	6" O.C.				
	1/4" TAPCON	1-1/4"	2-1/2"	12" O.C.	10" O.C.	6" O.C.	6" O.C.	6" O.C.					
	1/4-20 POWERS CALK-IN	7/8"	3"	12" O.C.	12" O.C.	10" O.C.	9" O.C.	8" O.C.	6" O.C.	6" O.C.			

DANIEL T. KOENIG
 3/21/08



DANIEL T. KOENIG
 PROFESSIONAL ENGINEER
 FLORIDA LICENSE# 52999
 8531 LAKE CYPRESS ROAD
 LAKE WORTH FL 33467

RAISED SEAL

Installation Instructions

StormWatch Inc.
 PO Box 14224
 N Palm Beach, FL 33408
 Tel: 866.60.STORM
 info@stormwatchinfo.com

DRAWN BY: MICHAEL MURRAY

DRAWING NO:
 1207-003
 NOT TO SCALE

ANCHOR SCHEDULE - INSIDE MOUNT +/-76 PSF

ANCHOR		MIN EMBED	MIN EDGE DIST	SPANS TO: 5'-0"	SPANS TO: 6'-0"	SPANS TO: 7'-0"	SPANS TO: 8'-0"	SPANS TO: 9'-0"	SPANS TO: 10'-0"	SPANS TO: 11'-0"	SPANS TO: 12'-0"	SPANS TO: 13'-0"	SPANS TO: 14'-1.5"
WOOD SG=0.55	1/4"ELCO PANELMATE MALE OR FEMALE	1-7/8"	3/4"	12" O.C.	12" O.C.	12" O.C.	12" O.C.	12" O.C.	10" O.C.	9" O.C.	9" O.C.	8" O.C.	6" O.C.
	1/4"ELCO PANELMATE MALE OR FEMALE	1-1/2"	2"	12" O.C.	12" O.C.	12" O.C.	12" O.C.	12" O.C.	12" O.C.	12" O.C.	12" O.C.	10" O.C.	10" O.C.
	1/4" SAMMY SUPER SCREW SSW	1-1/2"	2"	12" O.C.	12" O.C.	12" O.C.	12" O.C.	12" O.C.	12" O.C.	12" O.C.	12" O.C.	10" O.C.	10" O.C.
	1/4" LAG BOLT	3"	2"	12" O.C.	12" O.C.	12" O.C.	12" O.C.	12" O.C.	12" O.C.	12" O.C.	12" O.C.	10" O.C.	10" O.C.
	3/8" LAG BOLT	3"	3"	12" O.C.	12" O.C.	12" O.C.	12" O.C.	12" O.C.	12" O.C.	12" O.C.	12" O.C.	12" O.C.	12" O.C.
	3/8" HANGER BOLT	3"	3"	12" O.C.	12" O.C.	12" O.C.	12" O.C.	12" O.C.	12" O.C.	12" O.C.	12" O.C.	12" O.C.	12" O.C.
	3/8" LAG OR HANGER BOLT W/2"X3"X3/16" ALUM. ANGLE	3"	3"	24" O.C.	24" O.C.	24" O.C.	24" O.C.	24" O.C.	24" O.C.				
CONCRETE 3323psi	1/4"ELCO PANELMATE MALE	2"	2-1/2"	12" O.C.	12" O.C.	12" O.C.	12" O.C.	12" O.C.	12" O.C.	12" O.C.	10" O.C.	9" O.C.	9" O.C.
	1/4"ELCO PANELMATE FEMALE	1-3/4"	2-1/2"	12" O.C.	12" O.C.	12" O.C.	12" O.C.	12" O.C.	12" O.C.	12" O.C.	10" O.C.	9" O.C.	9" O.C.
	1/4" ELCO PANELMATE INSERT	1-5/8"	4"	12" O.C.	12" O.C.	12" O.C.	12" O.C.	12" O.C.	12" O.C.	12" O.C.	10" O.C.	10" O.C.	9" O.C.
	1/4" SAMMY SUPER SCREW SSC	2-1/4"	1-1/4"	12" O.C.	12" O.C.	12" O.C.	12" O.C.	12" O.C.	12" O.C.	10" O.C.	10" O.C.	9" O.C.	8" O.C.
	1/4" SAMMY SUPER SCREW SSC	2-1/4"	2-1/2"	12" O.C.	12" O.C.	12" O.C.	12" O.C.	12" O.C.	12" O.C.	12" O.C.	12" O.C.	12" O.C.	12" O.C.
	1/4" POWERS DROP-IN	1"	3"	12" O.C.	12" O.C.	12" O.C.	10" O.C.	9" O.C.	8" O.C.	6" O.C.	6" O.C.	6" O.C.	
	1/4-20 POWERS CALK-IN	7/8"	2"	12" O.C.	12" O.C.	12" O.C.	12" O.C.	10" O.C.	9" O.C.	8" O.C.	6" O.C.	6" O.C.	6" O.C.
	1/4-20 POWERS CALK-IN	7/8"	3"	12" O.C.	12" O.C.	12" O.C.	12" O.C.	12" O.C.	12" O.C.	10" O.C.	10" O.C.	9" O.C.	8" O.C.
	1/4" TAPCON SG	1-3/4"	2-1/2"	12" O.C.	12" O.C.	12" O.C.	12" O.C.	12" O.C.	12" O.C.	12" O.C.	12" O.C.	12" O.C.	10" O.C.
	1/4" TAPCON	1-3/4"	2-1/2"	12" O.C.	12" O.C.	12" O.C.	12" O.C.	12" O.C.	12" O.C.	12" O.C.	10" O.C.	10" O.C.	9" O.C.
	1/4" POWERS TAPPER	1-3/4"	3"	12" O.C.	12" O.C.	12" O.C.	12" O.C.	10" O.C.	9" O.C.	9" O.C.	8" O.C.	6" O.C.	6" O.C.
	1/4" POWERS POWER BOLT	2-1/2"	3"	12" O.C.	12" O.C.	12" O.C.	12" O.C.	12" O.C.	12" O.C.	10" O.C.	9" O.C.	8" O.C.	8" O.C.
	1/4" POWERS POWER STUD	1-1/2"	3"	12" O.C.	12" O.C.	12" O.C.	12" O.C.	12" O.C.	10" O.C.	10" O.C.	9" O.C.	8" O.C.	6" O.C.
	1/4" POWERS WEDGE-BOLT	2"	2"	12" O.C.	12" O.C.	12" O.C.	12" O.C.	12" O.C.	12" O.C.	12" O.C.	12" O.C.	12" O.C.	12" O.C.
	5/16" TAPCON	2-1/4"	2-3/16"	12" O.C.	12" O.C.	12" O.C.	12" O.C.	12" O.C.	12" O.C.	12" O.C.	12" O.C.	12" O.C.	12" O.C.
	3/8-16 POWERS CALK-IN	1-1/4"	4"	12" O.C.	12" O.C.	12" O.C.	12" O.C.	12" O.C.	12" O.C.	12" O.C.	12" O.C.	12" O.C.	12" O.C.
	3/8 POWERS DROP-IN	1-9/16"	2-5/8"	12" O.C.	12" O.C.	12" O.C.	12" O.C.	12" O.C.	12" O.C.	12" O.C.	12" O.C.	12" O.C.	12" O.C.
	3/8" POWERS POWER BOLT	2-1/2"	4"	12" O.C.	12" O.C.	12" O.C.	12" O.C.	12" O.C.	12" O.C.	12" O.C.	12" O.C.	12" O.C.	12" O.C.
	3/8" POWERS POWER STUD	3"	4"	12" O.C.	12" O.C.	12" O.C.	12" O.C.	12" O.C.	12" O.C.	12" O.C.	12" O.C.	12" O.C.	12" O.C.
	3/8" POWERS WEDGE BOLT	2-1/2"	3"	12" O.C.	12" O.C.	12" O.C.	12" O.C.	12" O.C.	12" O.C.	12" O.C.	12" O.C.	12" O.C.	12" O.C.
HOLLOW BLOCK 1500 psi	1/4"ELCO PANELMATE MALE	1-1/4"	3"	12" O.C.	10" O.C.	9" O.C.	6" O.C.	6" O.C.	6" O.C.				
	1/4"ELCO PANELMATE FEMALE	1-1/4"	3"	12" O.C.	10" O.C.	9" O.C.	6" O.C.	6" O.C.	6" O.C.				
	1/4" ELCO PANELMATE INSERT	1-1/4"	1-3/4"	12" O.C.	12" O.C.	12" O.C.	10" O.C.	9" O.C.	8" O.C.	6" O.C.	6" O.C.	6" O.C.	
	1/4" ELCO PANELMATE INSERT	1-1/4"	3-1/2"	12" O.C.	12" O.C.	12" O.C.	12" O.C.	10" O.C.	9" O.C.	8" O.C.	6" O.C.	6" O.C.	
	1/4" TAPCON SG	1-1/4"	2-1/2"	12" O.C.	12" O.C.	12" O.C.	12" O.C.	10" O.C.	10" O.C.	9" O.C.	8" O.C.	6" O.C.	
	1/4" TAPCON	1-1/4"	2-1/2"	6" O.C.	6" O.C.	6" O.C.							
	1/4-20 POWERS CALK-IN	7/8"	3"	10" O.C.	8" O.C.	6" O.C.	6" O.C.						

Daniel T. Koening
3/21/08



DANIEL T. KOENIG
PROFESSIONAL ENGINEER
FLORIDA LICENSE# 52999
8531 LAKE CYPRESS ROAD
LAKE WORTH FL 33467

RAISED SEAL

Installation Instructions

StormWatch Inc.
PO Box 14224
N Palm Beach, FL 33408
Tel: 866.60.STORM
info@stormwatchinfo.com

DRAWN BY: MICHAEL MURRAY
DRAWING NO: 1207-003
NOT TO SCALE